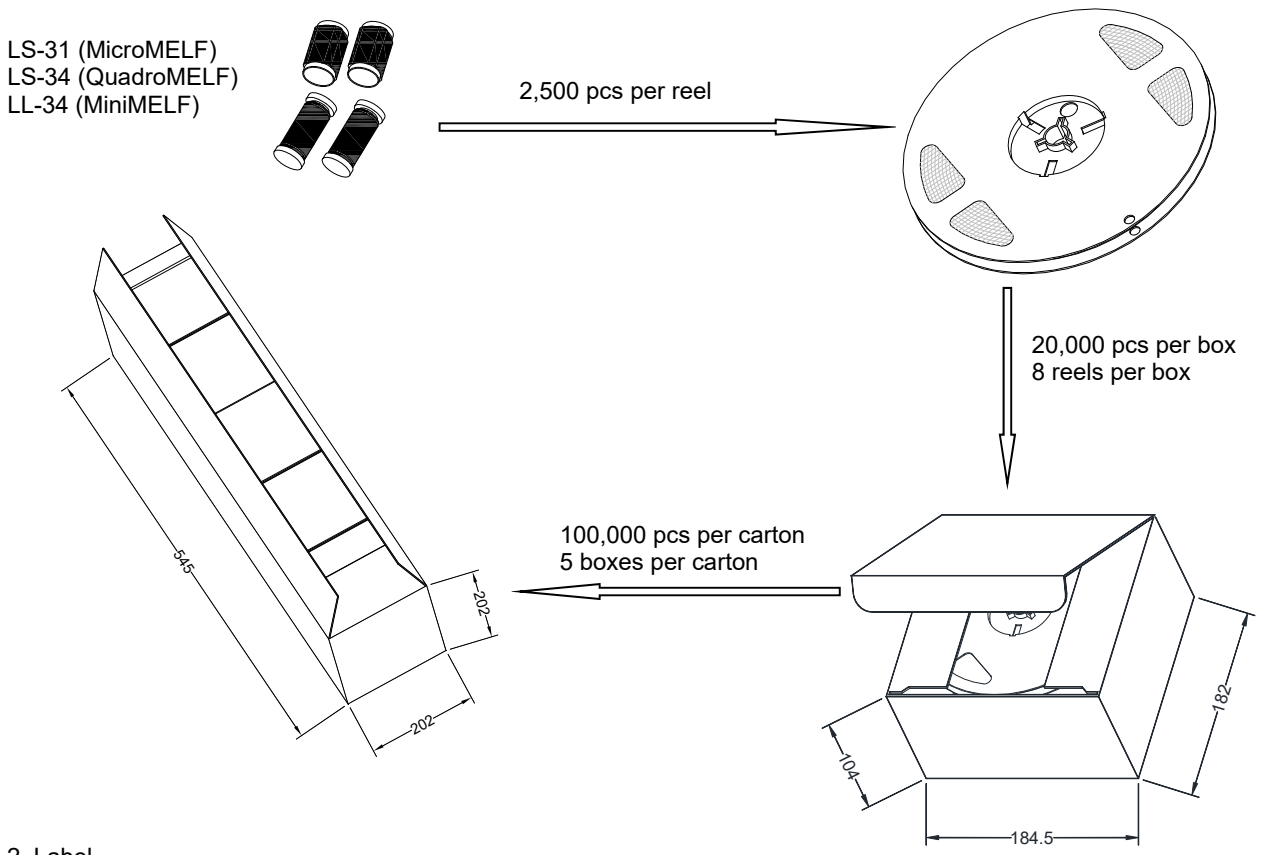


Packaging Specifications for 7" Reel Surface Mounted LL/LS Diodes

1. The method of packaging and dimension are shown as below figure. (Dimension in mm)



2. Label

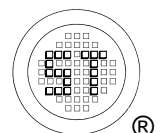
2.1 The information of inner box label must be listed: (Description of a sample label)

- | | | |
|-------|------------------------|---------------------------------|
| 2.1.1 | TYPE LL4148
 | means (Product) TYPE (Part No.) |
| 2.1.2 | QTY 20,000 PCS
 | means (Product) Quantity (QTY) |
| 2.1.3 | D/C SL0B3N0917S01
 | means Dice Lot No. / Code (D/C) |
| 2.1.4 | P/C DBEB0822A
 | means Production Code (P/C) |
| 2.1.5 | RMK 50121
 | means Manufacturing Date (RMK) |

2.2 The information of carton label must be listed:

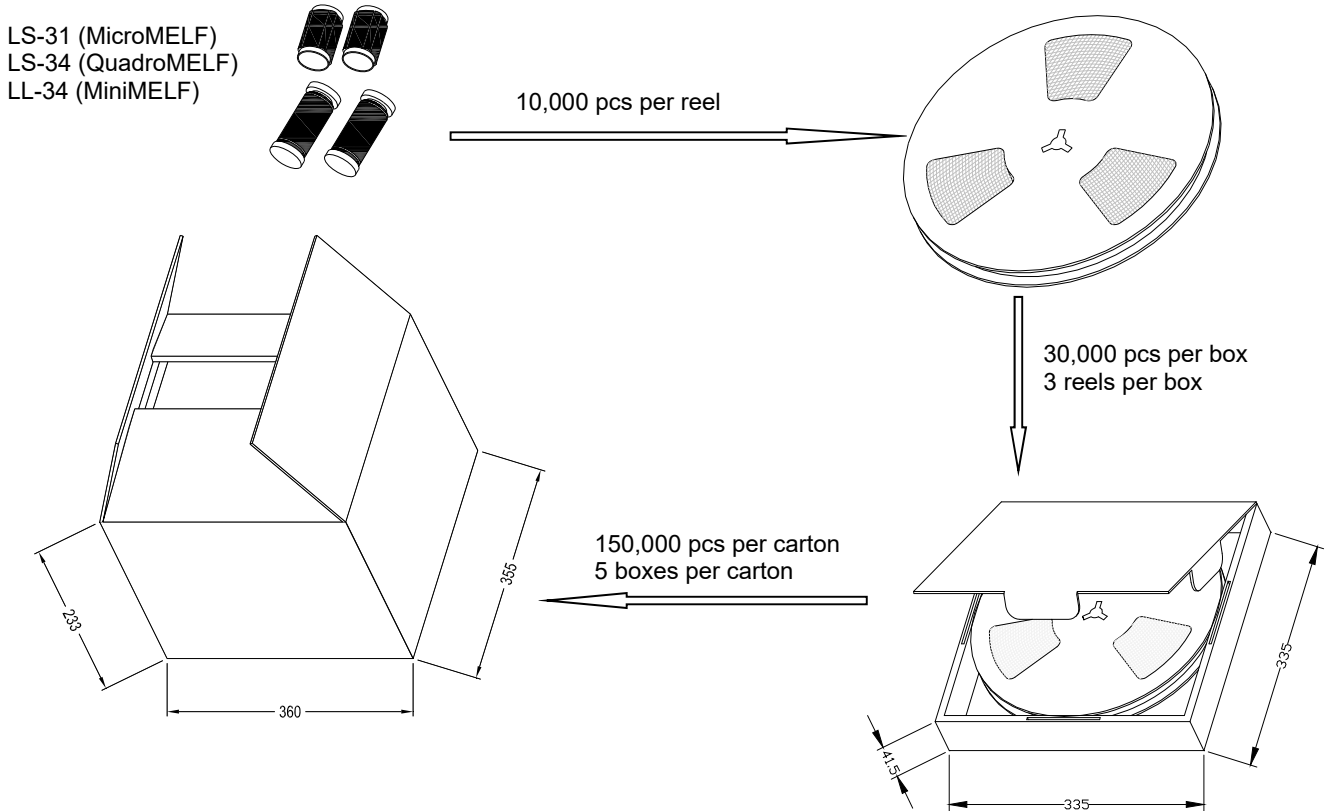
2.2.1 TYPE

2.2.2 QTY



Packaging Specifications for 13" Reel Surface Mounted LL/LS Diodes

1. The method of packaging and dimension are shown as below figure. (Dimension in mm)



2. Label

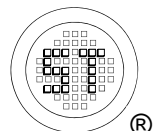
2.1 The information of inner box label must be listed: (Description of a sample label)

2.1.1	TYPE ZM4733A	means (Product) TYPE (Part No.)
2.1.2	QTY 10,000 PCS	means (Product) Quantity (QTY)
2.1.3	D/C SL0B3N0917S01	means Dice Lot No. / Code (D/C)
2.1.4	P/C DBEB0822A	means Production Code (P/C)
2.1.5	RMK 50121	means Manufacturing Date (RMK)

2.2 The information of carton label must be listed:

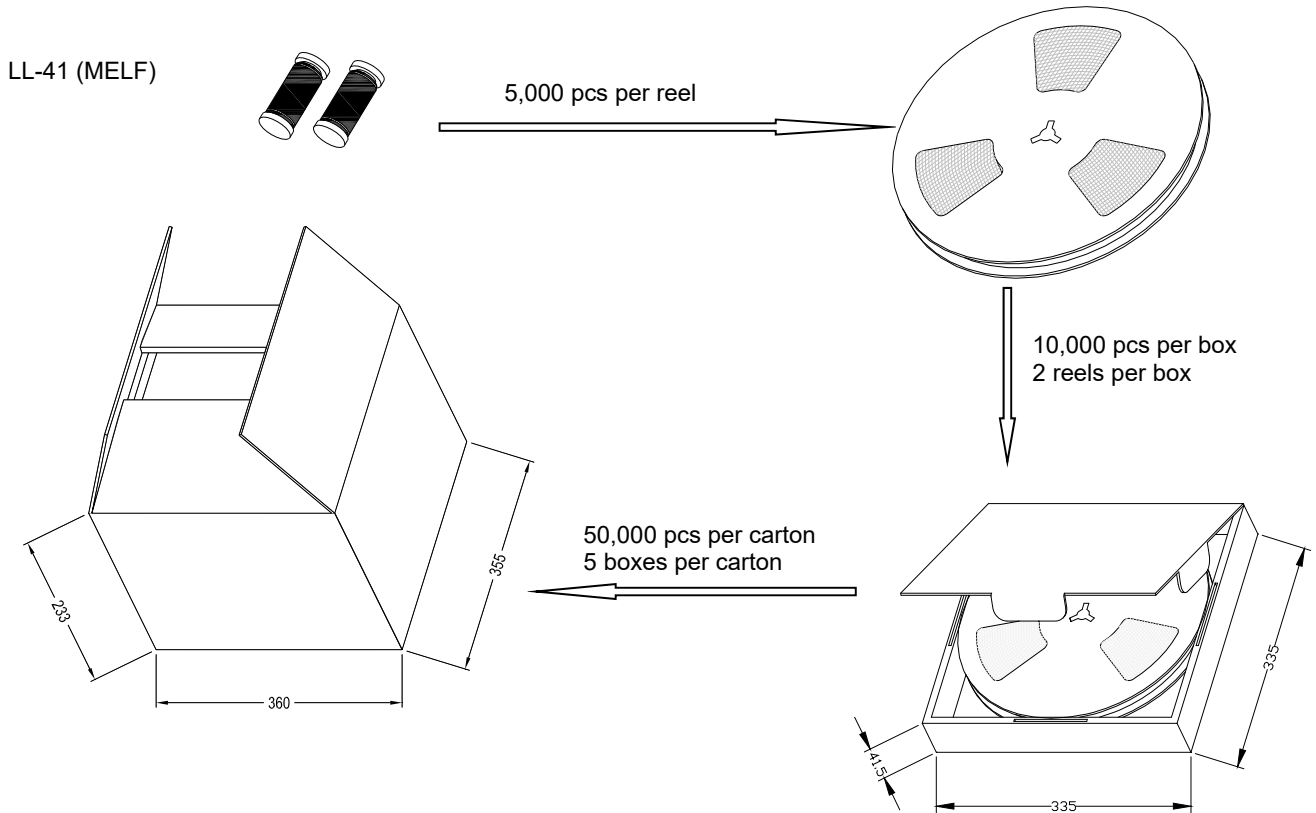
2.2.1 TYPE

2.2.2 QTY



Packaging Specifications for 13" Reel Surface Mounted LL-41 Diodes

1. The method of packaging and dimension are shown as below figure. (Dimension in mm)



2. Label

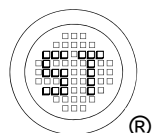
2.1 The information of inner box label must be listed: (Description of a sample label)

2.1.1	TYPE ZM4733A	means (Product) TYPE (Part No.)
2.1.2	QTY 10,000 PCS	means (Product) Quantity (QTY)
2.1.3	D/C SL0B3N0917S01	means Dice Lot No. / Code (D/C)
2.1.4	P/C DBEB0822A	means Production Code (P/C)
2.1.5	RMK 50121	means Manufacturing Date (RMK)

2.2 The information of carton label must be listed:

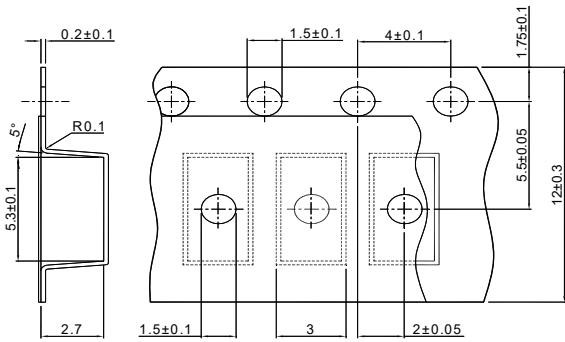
2.2.1 TYPE

2.2.2 QTY

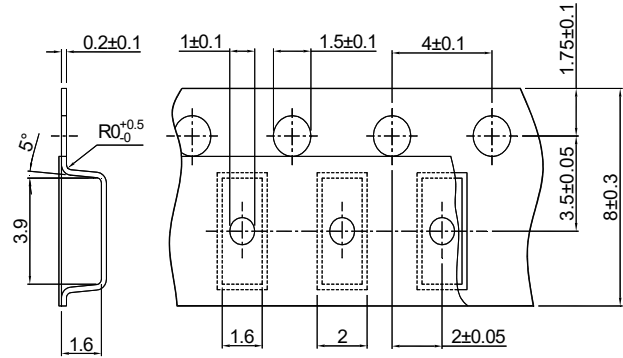


Tape Specifications for Surface Mounted LL/LS Diodes

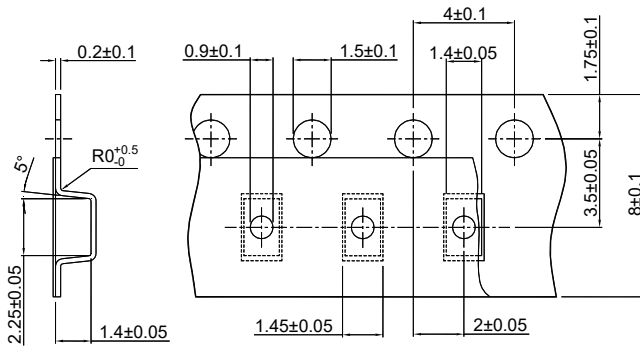
We supply the SMD components either in bulk or in 8-mm or 12-mm blister tapes depending on type of case. Both the tape dimensions for the cases MicroMELF(LS-31), MiniMELF(LL-34), QuadroMELF(LS-34), MELF(LL-41) and dimensions of the reels are shown in the following figures.



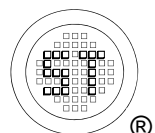
Accumulated pitch tolerance is ± 0.2 mm over 10 pitches
 12-mm carrier tape for MELF(LL-41)
 package
 dimensions in mm



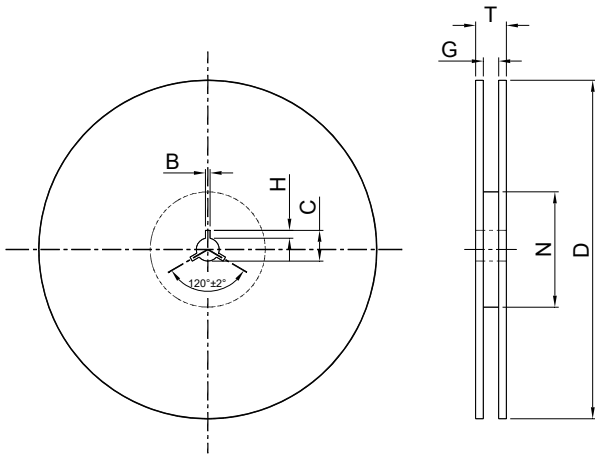
Accumulated pitch tolerance is ± 0.2 mm over 10 pitches
 8-mm carrier tape for MiniMELF(LL-34) /
 QuadroMELF (LS-34) package
 dimensions in mm



Accumulated pitch tolerance is ± 0.2 mm over 10 pitches
 8-mm carrier tape for MicroMELF(LS-31) package
 dimensions in mm



Reel Specifications for Surface Mounted LL/LS Diodes



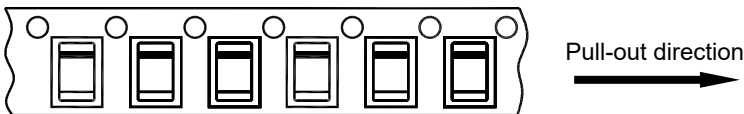
The beginning of the tape comprises a 200 mm long lead-in with vacant nests and at the hub end of the tape there are 10 to 20 sealed nests containing no devices. This end of the tap automatically detaches from the hub of the reel at the end of the inreeling procedure.

The packaging units for taped devices are

Type of case	Qty / reel	Reel Ø
MELF(LL-41)	5,000	330 mm
MiniMELF(LL-34)	2,500 / 10,000	178 mm / 330 mm
QuadroMELF(LS-34)	2,500 / 10,000	178 mm / 330 mm
MicroMELF(LS-31)	2,500 / 10,000	178 mm / 330 mm

Symbol	8-mm carrier tape (178 mm)	8-mm carrier tape (330 mm)	12-mm carrier tape (330 mm)
B	2 ± 0.5	2 ± 0.5	2 ± 0.5
C	13 ± 0.5	13 ± 0.5	13 ± 0.5
D	178 ± 2	330 ± 2	330 ± 2
G	8.4 ± 1.5	8.4 ± 1.5	12.4 ± 2
H	4 ± 0.5	4 ± 0.5	4 ± 0.5
N	60	60	60
T	< 14.9	< 14.9	< 20

Dimensions in mm



Reel for 8-mm and 12-mm carrier tapes

The carrier tape consists of a plastic tape with "nests" having a size corresponding to the components requirements. The sprocket holes are on one side of the tape. The blister tapes are sealed with a cover tape.

The cathode side of the components in MELF(LL-41), MiniMELF(LL-34), QuadroMELF(LS-34) and MicroMELF(LS-31) cases are adjacent to the sprocket holes. Other orientation can be supplied on demand.

